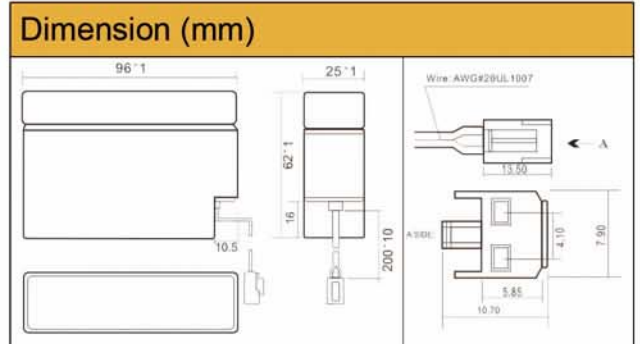




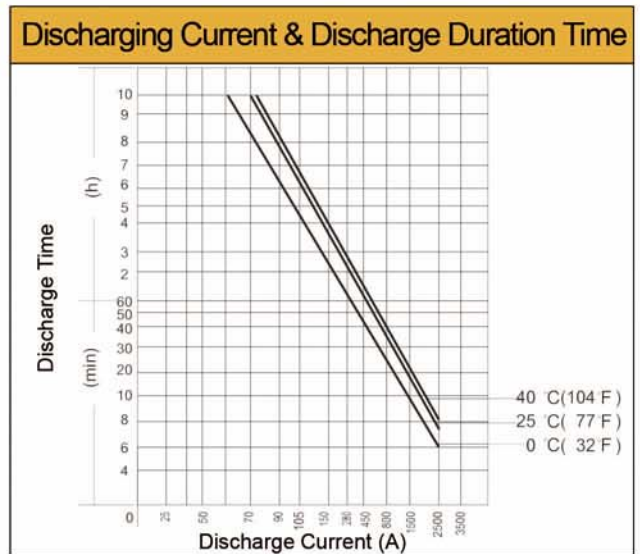
valve regulated
sealed lead acid type
rechargeable battery

⊕⊖ sunbattery®

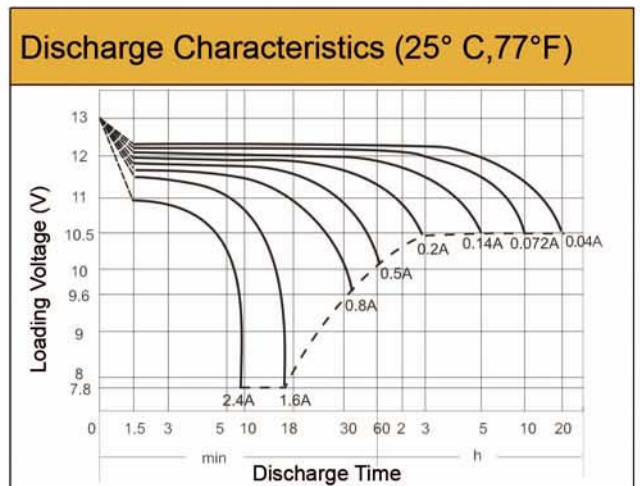
SB 12-0.8 (12V 0.8AH)



Physical Specification		
Nominal Voltage Nominal Capacity (20HR)		12V 0.8AH
Dimension	Length	96 ± 1mm (3.78 inches)
	Width	25 ± 1mm (0.98 inches)
	Container Height	62 ± 1mm (2.44 inches)
	Total Height (with Terminal)	62 ± 1mm (2.44 inches)
Weight		Approx 0.34kg (0.75lbs)
Standart Terminal		/



Electrical Specification					
Rated Capacity	20 hour rate (40mA)	0.8AH	Constant-Voltage Charge	Cycle	Initial Charging Current less than 0.2A. Voltage 14.4 V- 15.0 V at 25°C (77°F) Temp. Coefficient -30mV/°C
	10 hour rate (72mA)	0.72AH			
	5 hour rate (0.14A)	0.70AH			
	1 hour rate (0.5A)	0.5AH			
Capacity affected by Temperature	15 minute rate (1.57A)	0.39AH	Standby	No limit on Initial Charging Current Voltage 13.5 V~13.8 V at 25°C (77°F) Temp. Coefficient -20mV/°C	
	40°C (104°F)	103%			
	25°C (77°F)	100%			
	0°C (32°F)	86%			



Constant Current (Amp) and Constant Power (Watt) Discharge Table (25°C,77°F)

Amp Watt/Cell	Time(Minute) Final Voltage	5	10	15	20	30	45	60	120	180	300	600	1200
		1.3	1.3	1.3	1.3	1.6	1.6	1.67	1.7	1.75	1.75	1.75	1.8
A / Batt		3.20	2.28	1.57	1.28	0.92	0.64	0.50	0.28	0.20	0.14	0.072	0.04
W / Cell		5.73	4.29	2.98	2.50	1.81	1.27	0.98	0.56	0.41	0.27	0.144	0.08